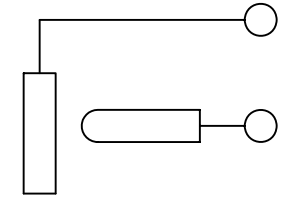
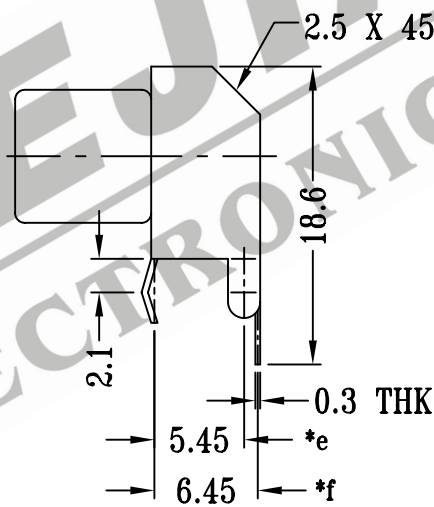
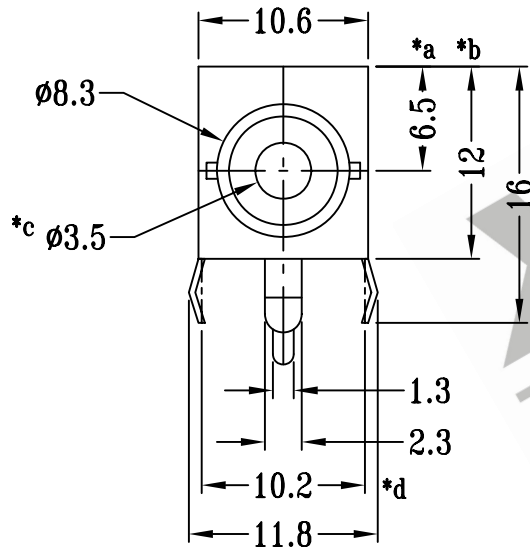
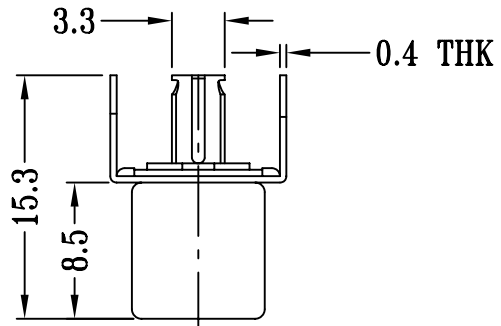
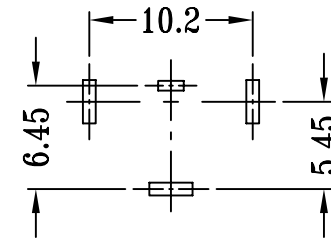


CAD FILE:



SCHEMATIC



P.C.B LAYOUT

WASHER

MODEL NO.	COLOR
RC-103-B	BLACK
RC-103-R	RED
RC-103-Y	YELLOW
RC-103-W	WHITE

注:带'*'表示关键尺寸(6个)

NO.	PART NAME	MATERIAL	Q'TY	FINISHING	TOLERANCE UNLESS SPECIFIED	SHENZHEN XIEJIA ELECTRONICS CO.,LTD.								
8						<table border="1"> <tr> <td>ISSUE</td> <td>DATE</td> <td colspan="2">DESCRIPTIONS</td> <td>APPD.</td> </tr> </table>				ISSUE	DATE	DESCRIPTIONS		APPD.
ISSUE	DATE	DESCRIPTIONS		APPD.										
7														
6					WITHIN: 1.5±0.1mm OVER : 1.5±0.2mm									
5	WASHER	PC	1	BLACK\RED\YELLOW\WHITE										
4	CASE	PC	1	BLACK	TITLE : RCA JACK	UNIT : MM	DRWG NO.: XJ-DR-RC104-00							
3	FRAME	STEEL STRIP	1	Ni PLATED	MODEL: RC-104	SCALE: 2:1	DWN.	ZHOUYU	2003-12-15					
2	SLEEVE	STEEL STRIP	1	Ni PLATED			CHK'D	FANGYING	2003-12-15					
1	TERMINAL	BRASS STRIP	1	Ag PLATED OVER Ni PLATED	ALL MATERIALS MUST BE COMPLIANT TO ROHS									
									APPD.	KANGXINAN	2003-12-15			